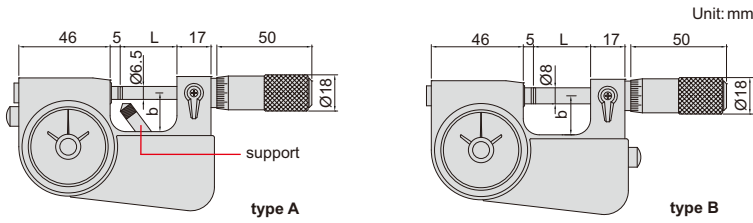


INDICATING MICROMETERS

ATTENTION: SETTING STANDARDS ARE NOT INCLUDED



5

- Meet DIN863-3
- Micrometer head graduation: 0.002mm
- Dial indicator: range ± 0.04 mm, graduation 0.001mm, accuracy 0.001mm
- Carbide measuring faces
- Optional accessory: gage blocks grade 0 (4101-A series), for zero setting

Code	Micrometer head range	Micrometer head accuracy	Type	L	b	Remark
3332-25	0-25mm	4 μ m	A	28.5	19	with support
3332-50	25-50mm	4 μ m	A	53.5	30	with support
3332-75	50-75mm	5 μ m	A	78.5	45	without support
3332-100	75-100mm	5 μ m	A	103.5	57	without support
3332-25B	0-25mm	4 μ m	B	28.5	19	without support



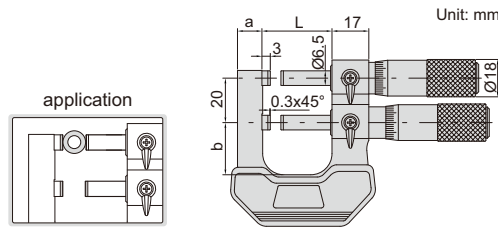
3332-25



3332-25B

LIMIT MICROMETERS

- Used as Go/No-Go gage by setting upper and lower limits
- Graduation 0.002mm
- Carbide measuring faces
- Supplied with setting standard (except 0-25mm)



Code	Range	Accuracy	L	a	b
3235-25A	0-25mm	4 μ m	32mm	12mm	24mm
3235-50A	25-50mm	4 μ m	57mm	15mm	32mm



3235-25A

MICROMETERS WITH DIAL INDICATOR

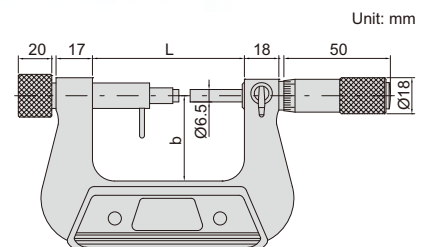
ATTENTION: NOT SUITABLE FOR 0.001MM DIAL INDICATORS

- Meet DIN863-3
- Micrometer head graduation 0.01mm
- Anvil retracting range: 8mm
- Carbide measuring faces
- Supplied with setting standards (except 0-25mm)
- Optional accessory: dial indicators (graduation 0.01mm), digital indicators (resolution 0.01mm/0.0005")



3331-25A

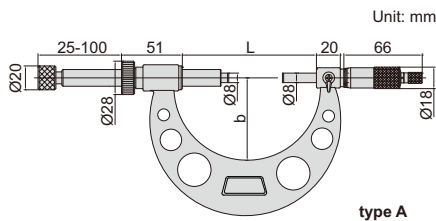
Code	Micrometer head range	Micrometer head accuracy	L	b
3331-25A	0-25mm	4 μ m	67mm	38mm
3331-50A	25-50mm	4 μ m	92.4mm	50mm
3331-75A	50-75mm	5 μ m	117.6mm	62mm
3331-100A	75-100mm	5 μ m	143mm	70mm
3331-125A	100-125mm	6 μ m	168.2mm	82mm
3331-150A	125-150mm	6 μ m	192mm	94.5mm
3331-175A	150-175mm	7 μ m	217mm	107mm



ATTENTION: NOT SUITABLE FOR 0.001MM DIAL INDICATORS



3296-100A



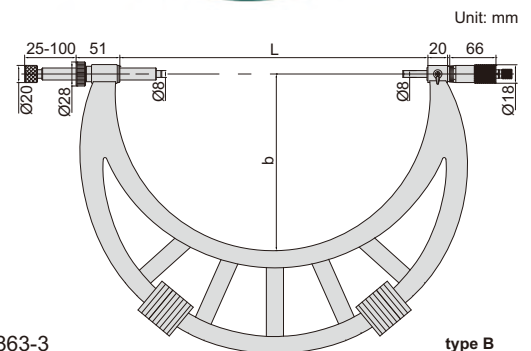
type A

Code	Range	Type	Accuracy	L	b
3296-100A	0-100mm	A	6µm	115	68
3296-200A	100-200mm	A	7µm	215	120
3296-300A	200-300mm	A	8µm	315	170
3296-400A	300-400mm	B	9µm	415	225
3296-500A	400-500mm	B	10µm	515	275
3296-600A	500-600mm	B	11µm	615	325
3296-700A	600-700mm	B	12µm	715	375
3296-800A	700-800mm	B	13µm	815	430
3296-900A	800-900mm	B	14µm	915	480
3296-1000A	900-1000mm	B	15µm	1015	530

MICROMETERS WITH DIAL INDICATOR



3296-400A



type B

- Meet DIN863-3
- Graduation 0.01mm
- Ratchet stop
- Carbide measuring faces
- Supplied with setting standards
- Optional accessory: dial indicators (graduation 0.01mm) digital indicators (resolution 0.01mm/0.0005")

- Measure width of grooves inside bores
- Graduation 0.01mm
- Two graduations for inside and outside measurements
- Non-rotating spindle

GROOVE MICROMETERS



3287-25A



3287-50B

No ratchet stop (mm)

Code	Range (outside A)	Range (inside B)	Accuracy	L	Ød	Ød1
3287-25A	0-25mm	1.6-26.5mm	10µm	120	13	6.5
3287-50A	25-50mm	26.5-51.5mm	10µm	120	13	6.5
3287-75A	50-75mm	51.5-76.5mm	10µm	120	13	6.5
3287-100A	75-100mm	76.5-101.5mm	10µm	120	13	6.5
3287-251A	0-25mm	1.6-26.5mm	10µm	90	6.5	3

Two-directional ratchet stop (mm)

Code	Range (outside A)	Range (inside B)	Accuracy	L	Ød	Ød1
3287-25B	0-25mm	1.6-26.5mm	10µm	120	13	6.5
3287-50B	25-50mm	26.5-51.5mm	10µm	120	13	6.5
3287-75B	50-75mm	51.5-76.5mm	10µm	120	13	6.5
3287-100B	75-100mm	76.5-101.5mm	10µm	120	13	6.5
3287-251B	0-25mm	1.6-26.5mm	10µm	90	6.5	3

*3287-251A and 3287-251B do not have sleeve

